

IP DUAL TECHNOLOGY CAMERA SYSTEM MTC-1500i

The new **MTC-1500i** by Magal S³ is a discreet and efficient IP dual technology (thermal and CCD) camera system with accurate P&T motorization, specifically designed for complex intelligent video analysis (IVA) applications in high security environments and on every scenario: ground, sea and even air.

The **MTC-1500i** system has a clear mission: to obtain the best image quality nowadays, even improved by means of embedded software, either in full daylight or total darkness, in order to carefully analyze it through IVA. This allows, from now on, to protect automatically, exhaustively and effectively every type of perimeter (ports, airports, military bases, prisons, borders, etc.) using IVA and getting an early and trustable intrusion detection 24/7.



Advantages

- Optimized for intelligent video analysis (IVA)
- Maximum image quality
- Maximum preset accuracy
- Maximum stability
- Military standards (environmental, EMI/EMC, etc.)
- Maximum versatility (IP, PiP, many options and extras available, etc.)
- Easy maintenance

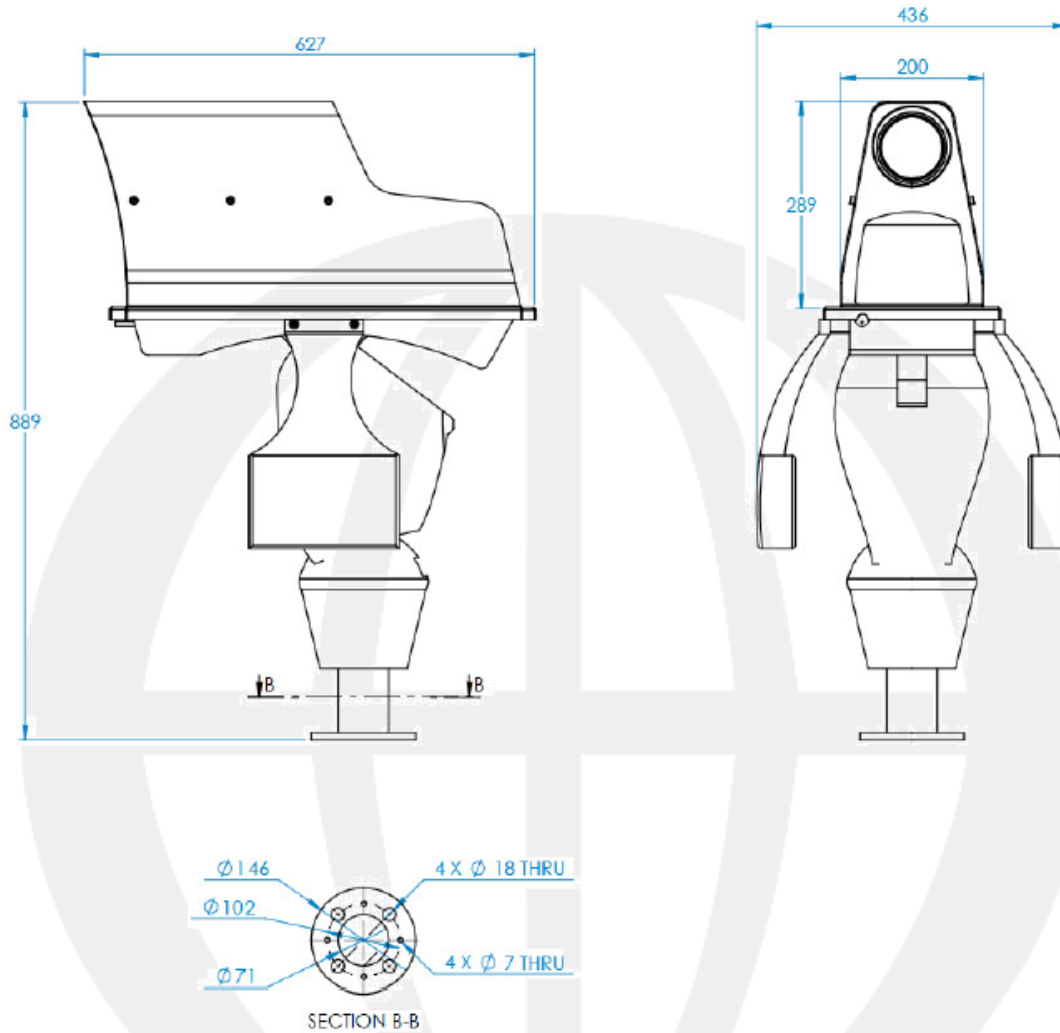
Technical Specifications

- Enclosure:
 - Ruggedized and pressurized, polyester coated aluminum
 - Mechanical stabilization by means of side counterweights
 - Transmission belt
 - Pan: continuous with speed 0.1° to 20°/s
 - Tilt: -20° to +45° with speed 0.1° to 20°/s
 - Preset accuracy: ±0.02°
 - Window: 112 x 95 mm with built in self cleaning system
- Thermal camera:
 - Detector: uncooled long wave microbolometer
 - Resolution: Standard version 320x240 / HD version 640 x 480
 - Pixel size: Standard version 25 μ / HD version 17 μ
 - Image frequency: 25 Hz
 - Lense: Dual lense 45/135 mm (customizable)
 - Zoom: Electronic 2x and 4x
 - Automatic gain control (AGC)
 - Contrast digital enhancement (CDE)
- Day/night camera:
 - Standard version 400.000 pix / HD version 5 Mpx
- PiP (Picture in Picture)
- Consumption: ≤3.8W
- Power: 24 VDC
- Operating temperature: -45°C to 85°C
- Certifications: MIL-STD-810F, MIL-STD-461D, IEC60068-2-27 e IP66
- Dimensions: (see next page)
- Weight: 30 Kg

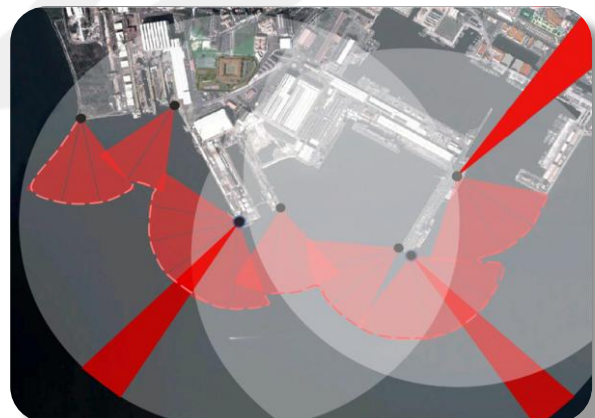


MAGAL S³

Security, Safety, Site management



3



Magal Security Systems Ltd.